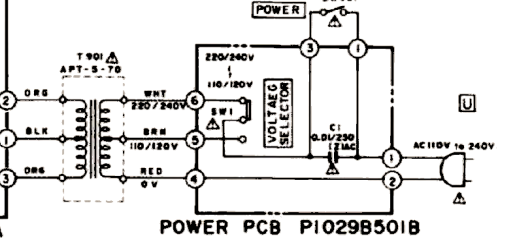
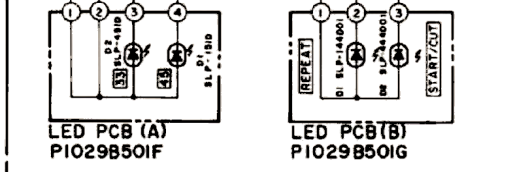
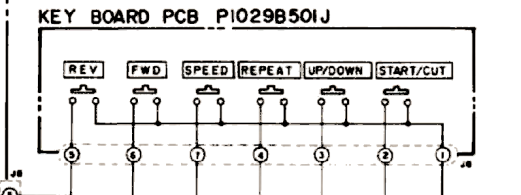
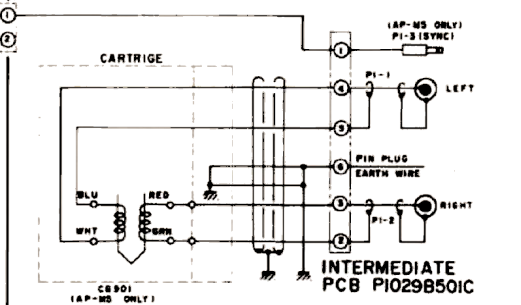
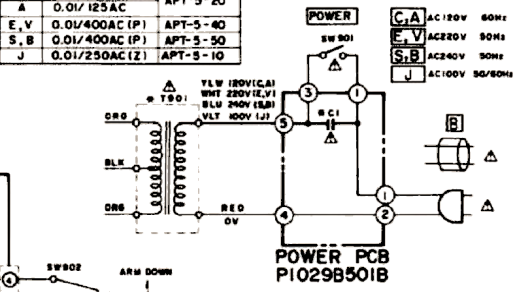


M	C1	T 901
A	0.01/250AC (Z)	APT-5-20
E, V	0.01/400AC (P)	APT-5-40
S, B	0.01/400AC (P)	APT-5-50
J	0.01/250AC (Z)	APT-5-10



WARNING: Δ INDICATES SAFETY CRITICAL COMPONENTS FOR CONTINUED SAFETY. REPLACE SAFETY CRITICAL COMPONENTS ONLY WITH MANUFACTURER'S RECOMMENDED PARTS.
 AVERTISSEMENT: Δ IL INDIQUE LES COMPOSANTS CRITIQUES DE SÉCURITÉ. POUR MAINTENIR LE DEGRÉ DE SÉCURITÉ DE L'APPAREIL, NE REMPLACER QUE DES PIÈCES RECOMMANDÉES PAR LE FABRICANT.

NOTE: UNLESS OTHERWISE SPECIFIED, ALL RESISTORS IN OHMS (1/4W), ALL CAPACITORS IN μF (50V), POWER TRANSFORMER IS DIFFERENT ACCORDING TO AREA. (FS) = FAIL SAFE RESISTORS.